



Solenoid valve 2/2 way N.C. Combined operation

21HT3K0Y110
÷
21HT6K0Y250-S

PRESENTATION:

Combined operation S.V. for interception of fluids compatibles with the construction materials.

Minimum operational pressure is not required.

The materials used and the tests carried out ensure maximum reliability and duration.

USE: Automation, Vacuum packaging
Heating

PIPES: G 3/8 - G3/4

COILS: 8W - Ø 13
BDA - BDS - BSA 155°C (class F)
BDF - BDV 180°C (class H)
12W - Ø 13
UDA 155°C (class F)
14W - Ø 13
GDH - GDV 180°C (class H)

MOULDING AND BOBBIN ARE MADE BY 100% VIRGIN MATERIAL.

Max. allowable pressure (PS) 16 bar

Ambient temperature:

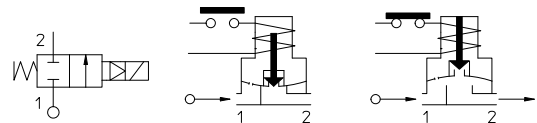
with coils class F - 10°C + 60°C

with coils class H - 10°C + 80°C



Gaskets	Temperature		Medium
	- 10°C	+ 90°C	
Y=NBR (nitrile rubber) + PA (polyamide)	- 10°C	+ 90°C	Air, gasoline, fuel oils, inert gas, water
V=FKM+ PA (fluorelastomer+poliamiyde)	- 10°C	+140°C	Mineral oils (2°E), gasoline gas oil

For seals other than FKM replace the letter "V" with the ones corresponding to the other seals. E.I. 21HT3K0V110.

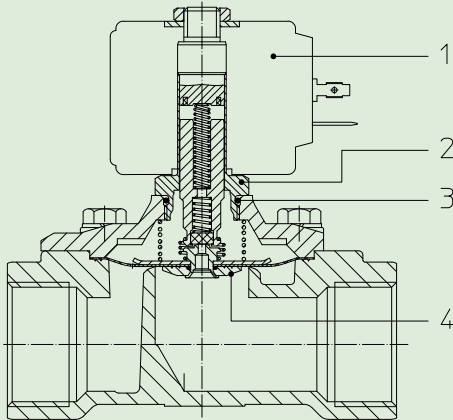
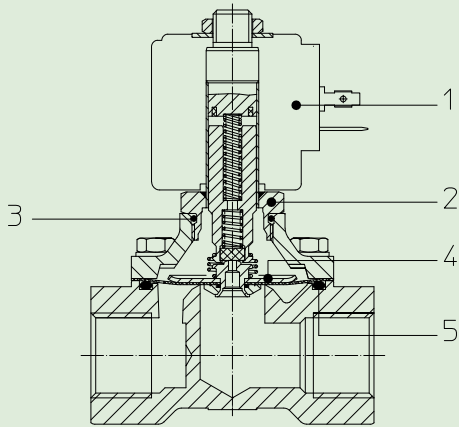


Pipe ISO 228/1	Code	Max viscosity		Ø mm	Kv l/mn	Power (watt)	Pressure		
		cSt	°E				min bar	M.O.P.D.	
								AC bar	DC bar
G 3/8	21HT3K0Y110			11	20	8			5
						12			14
						14			14
G 1/2	21HT4K0Y160			16	40	8	14		2,5
						12			11
						14			14
G 3/4	21HT5K0Y160	12	~ 2	16	40	8	0		1,5
						12			11
						14			14

Note

* For DC only

The "ODE" reserves the right to carry out technical and aesthetic modifications without prior notification.



MATERIALS:

- Body** Brass - UNI EN 12165 CW617N
- Armature tube** Stainless steel AISI series 300
- Fixed core** Stainless steel AISI series 400
- Plunger** Stainless steel AISI series 400
- Phase displacement ring** Copper - Cu 99,9%
- Spring** Stainless steel AISI series 300
- Seal** Standard: Y=NBR+PA
On request : V=FKM+PA
- Orifice** Brass - UNI EN 12165 CW617N

- On request:**
- Connector** Pg 9 or Pg 11
- Connector conformity** ISO 4400

FEATURES:

- Electrical conformity** IEC 335
- Protection degree** IP 65 EN 60529 (DIN 40050)
with coil fitted by connector.

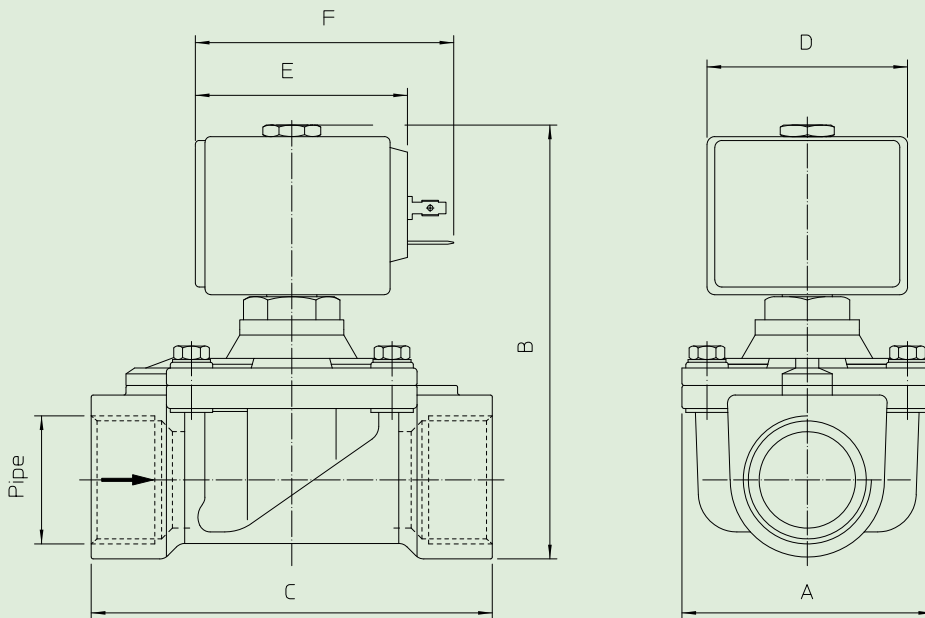
SPARE PARTS:

- 1. Coil:** See coils list
- 2. Complete armature tube without gasket:** G 3/8÷G 3/4 Code R450691
- 3. Gasket O-Ring:** Code R990000/B
- 4. Complete diaphragm with plunger:** G 3/8 Code R452126/B
G 1/2÷G 3/4 Code R452125/B
- 5. Gasekt O-Ring :** G 3/8÷G 3/4 Code R990105/B

MANITENANCE KIT:

- G 3/8
KTGHT3K0Y11=4+5
- G 1/2÷G 3/4
KTGHT4K0Y16=4+5

DIMENSIONS:



Type	Pipe ISO 228/1	A mm	B mm	C mm
21HT3K0Y110	G 3/8	50	89	56
21HT4K0Y160	G 1/2		100	70
21HT5K0Y160	G 3/4			

COIL TYPE	POWER ABSORPTION			DIMENSIONS		
	W ==	Hold VA ~	Inrush VA ~	D mm	E mm	F mm
B	8	14,5	25	30	42	54
U	12	23	35	36	48	60
G	14	27	43	52	55	67