



Solenoid valve 2/2 way N.C. Direct acting - NSF Certified

21JP1RRV12
÷
21JP1R1V23-T0

PRESENTATION:

Direct acting S.V. for interception of fluids compatible with the construction materials.

Minimum operational pressure is not required.

The materials used and the tests carried out ensure maximum reliability and duration.

USE: Automation, Sterilization
Vending

PIPES: G 1/8

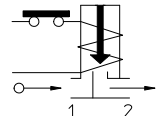
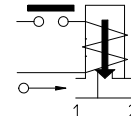
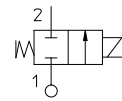
COIL: 2,5W - Ø 10
LBA 155°C (class F)
5W - Ø 10
LBA 155°C (class F)
LBF - LBV 180°C (class H)

MOULDING AND BOBBIN ARE MADE BY 100% VIRGIN MATERIAL.

Max. allowable pressure (PS) 16 bar
Ambient temperature:
with coil class F - 10°C + 60°C
with coil class H - 10°C + 80°C



Gaskets	Temperature		Medium
V=FKM (fluoroelastomer)	- 10°C	+ 140°C	Air, water, inert gas, steam



Pipe ISO 228/1	Code	Fig.	Max viscosity		Ø mm	Kv l/mn	Power (watt)	Pressure		
			cSt	°E				min bar	M.O.P.D. AC bar DC bar	
G 1/8	21JP1RRV12	1	12	~ 2	1,2	1	2,5	0	15	3,5
	21JP1R1V12 -T0 •	2					5			12
							2,5			3,5
	21JP1RRV23	1					5			12
			2,5	6	-					
	21JP1R1V23-T0 •	2	37	~ 5	2,3	2,1	5		15	8
							2,5		6	-
			21JP1R1V23-T0 •	2	5	15	8			
5					15	8				



• NSF CERTIFIED

Note

Max torque for fittings and nut assembly 2Nm

In case glue is used to seal the fittings, verify the compatibility with body material (PPS)

For application with steam, please consult our Technical Service.

Available on request and with minimum quantities.

The "ODE" reserves the right to carry out technical and aesthetic modifications without prior notification.

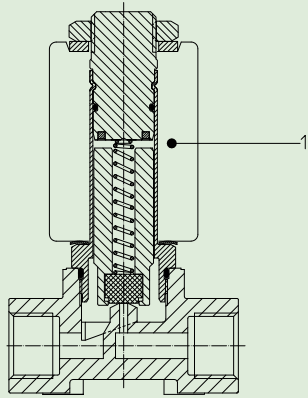


Fig. 1

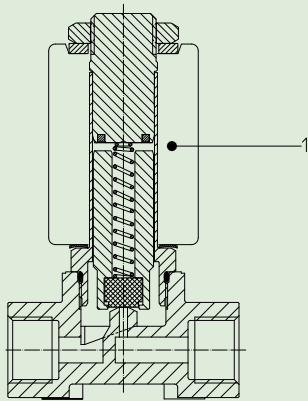


Fig. 2

MATERIALS:

Body	PPS
Armature tube (fig.1)	Brass - UNI EN 12165 CW617N
Armature tube (fig.2)	Stainless steel AISI series 300
Fixed core	Stainless steel AISI series 400
Plunger	Stainless steel AISI series 400
Phase displacement ring (fig.1)	Copper - Cu 99,9%
Phase displacement ring (fig.2)	Gold plated copper
Spring	Stainless steel AISI series 300
Seal	V=FKM
Orifice	PPS

On request:

Connector	Pg 9 or Pg 11
Connector conformity	ISO 4400

FEATURES:

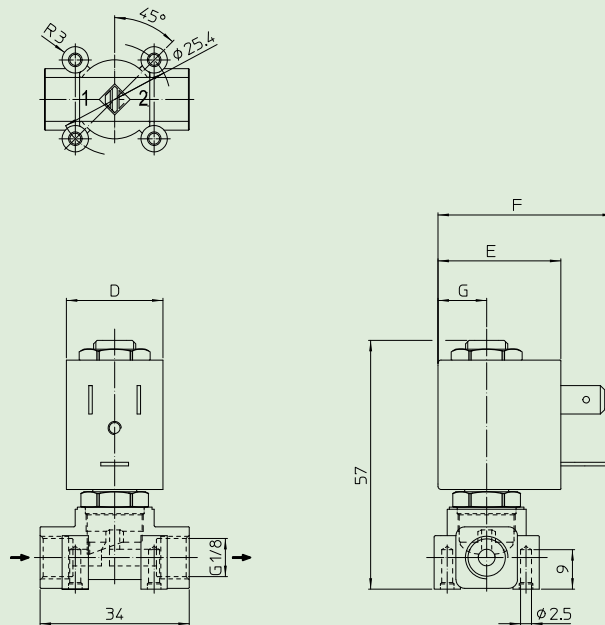
Electrical conformity	IEC 335
Protection degree	IP 65 EN 60529 (DIN 40050) with coil fitted by connector.

SPARE PARTS:

1. Coil:

See coils list

DIMENSIONS:



COIL TYPE	POWER ABSORPTION			DIMENSIONS			
	W =	Hold VA ~	Inrush VA ~	D mm	E mm	F mm	G mm
L	2,5	5	7	22	27,5	39,5	11
	5	10	15				