



Modular Solenoid valve 2/2 way N.C. Direct acting

JM Series
R1 gold-plated

PRESENTATION:

Direct acting S.V. for interception of fluids compatible with the construction materials.

Minimum operational pressure is not required.

The materials used and the tests carried out ensure maximum reliability and duration..

USE: Automation, Sterilization
Vending

PIPES: G 1/8 male/female; Ø 6 (hose connection);
fast fitting

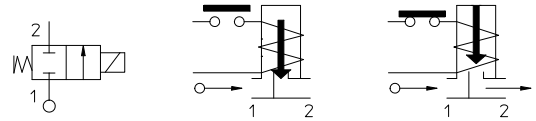
COILS: 5W - Ø 10
LBA 155°C (class F)
LBV 180°C (class H)

MOULDING AND BOBBIN ARE MADE BY 100% VIRGIN MATERIAL.

Max. allowable pressure (PS) 16 bar (25 bar)
Ambient temperature:
with coil class F - 10°C + 60°C
with coil class H - 10°C + 80°C



Gaskets	Temperature		Medium
	- 10°C	+140°C	
V=FKM (fluoroelastomer)	- 10°C	+140°C	Air, water, iner gasi, steam
B=NBR (nitrile rubber)	- 10°C	+ 90°C	Water, air, inert gas



For left inlet replace the letter "A" with "B" Es. 23MB1VBDBDBD.

Pipe ISO 228/1	Std code n. 3 modules (inlet right)	Max viscosity		Ø mm	Kv l/mn	Power (watt)	Pressure		
		cSt	°E				min bar	M.O.P.D.	
								AC bar	DC bar
G 1/8 male	23MA1VBDBDBD	12	~ 2	1,2	0,8	5	0	15	15
	23MA1VBEBEBE	37	~ 5	2,3	2			6	
	23MA1VBFBFBF	53	~ 7	2,6	2,5			10	3,5
G 1/8 female	23MA2VADADAD	12	~ 2	1,2	0,8	5	0	15	15
	23MA2VAEAEAE	37	~ 5	2,3	2			6	
	23MA2VAFAFAF	53	~ 7	2,6	2,5			10	3,5

Pipe ISO 228/1	Std code n. 3 modules (inlet right)	Max viscosity		Ø mm	Kv l/mn	Power (watt)	Pressure		
		cSt	°E				min bar	M.O.P.D.	
								AC bar	DC bar
Ø 6 ext.	23MA3VDCDCDC	12	~ 2	1,2	0,8	5	0	15	15
	23MA3VCECECE	37	~ 5	2,3	2			6	
	23MA3VCFCFCF	53	~ 7	2,6	2,5			10	3,5
Fast fitting	23MA4VDDDDDD	12	~ 2	1,2	0,8	5	0	15	15
	23MA4VDEDEDE	37	~ 5	2,3	2			6	
	23MA4VDFDFDF	53	~ 7	2,6	2,5			10	3,5

Note

Max torque for fittings and nut assembly 2 Nm. Evaluate tightening torque for tapered fittings.

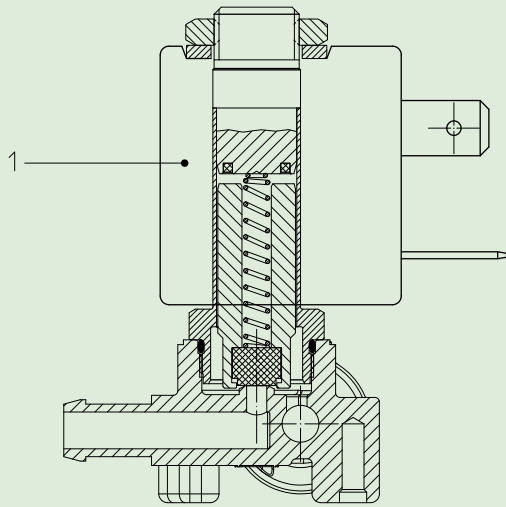
In case glue is used to seal the fittings, verify the compatibility with body material (PPS)

Don't mount the groups with 1 or more elements cantilever.

For application with steam or with PS above the 16 bar , please consult our Technical Service.

Available on request and with minimum quantities.

The "ODE" reserves the right to carry out technical and aesthetic modifications without prior notification.



MATERIALS:

Body	PPS
Armature tube	Stainless steel AISI series 300
Fixed core	Stainless steel AISI series 400
Plunger	Stainless steel AISI series 400
Phase displacement ring	Gold plated copper
Spring	Stainless steel AISI series 300
Seal	V=FKM
Orificie	PPS

On request:

Connector	Pg 9 o Pg 11
Connector conformity	ISO 4400

FEATURES:

Electrical conformity	IEC 335
Protection degree	IP 65 EN 60529 (DIN 40050) with coil fitted by connector.

SPARE PARTS:

1. **Coil:**
See coils list
 2. **Gasket O-Ring:**
Code R990005/VX
- Lock:**
Code R453121

DIMENSIONS:

