



Solenoid valve 3/2 way N.C. Direct acting

31APBA0R10-VRP
÷
31APBA0R30-VRP

PRESENTATION:

Direct acting S.V. for interception of fluids compatible with the construction material.

Minimum operational pressure is not required.

The materials used and the tests carried out ensure maximum reliability and duration.

USE: Hot water,
Steam (180°C)

PIPES: subplate mounting

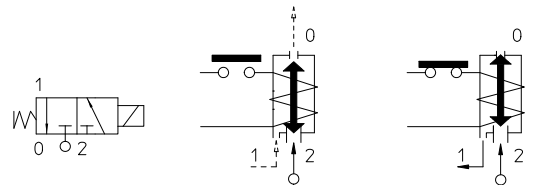
COIL: 8W - Ø 13
BDA - BDS - BSA 155°C (class F)
BDV 180°C (class H)

MOULDING AND BOBBIN ARE MADE BY 100% VIRGIN MATERIAL.

Ambient temperature
with coil class F - 40°C + 60°C
with coil class H - 40°C + 80°C



Gaskets	Temperature		Medium
R=RUBY	- 40°C	+ 180°C	Hot water, Steam



Max allowable pressure (PS) 16 bar - According to EN 60730-2-8 - Factor of safety for domestic applications equal to 5 times PS

Pipe	Code	Max viscosity		Ø mm	Kv l/mn	Power (watt)	Pressure				
		cSt	°E				min bar	M.O.P.D AC bar DC bar			
SUBPLATE MOUNTING	31APBA0R10-VRP	-	-	1*	0,45	8	0	16	16		
	31APBA0R15-VRP			1,5*	1,4						
	31APBA0R20-VRP			2*	2					13	13
	31APBA0R25-VRP			2,5*	3,2					10	10
	31APBA0R30-VRP			3*	4					4	4

Max allowable pressure (PS) 25 bar - Safety factor for industrial application equal to 3 times PS

Pipe	Code	Max viscosity		Ø mm	Kv l/mn	Power (watt)	Pressure				
		cSt	°E				min bar	M.O.P.D AC bar DC bar			
SUBPLATE MOUNTING	31APBA0R10-VRP	-	-	1*	0,45	8	0	25	25		
	31APBA0R15-VRP			1,5*	1,4					20	20
	31APBA0R20-VRP			2*	2					13	13
	31APBA0R25-VRP			2,5*	3,2					10	10
	31APBA0R30-VRP			3*	4					4	4

Note

* 3rd way exhaust= Ø 2,5 mm

Available also with NSF approval.

Available also with coil Ex nA

The use of rigid sealings usually implies a slight leakage, limited within 2scc/min at the pressure of 1 bar.

Available on request and with minimum quantities.

The "ODE" reserves the right to carry out technical and aesthetic modifications without prior notification.

MATERIALS:

Body	PPS
Armature tube	Stainless steel series 300
Fixed core	Stainless steel series 400
Plunger	Stainless steel series 300
Phase displacement ring	Copper - Cu 99,9%
Spring	Stainless steel series 300
Seal	R=RUBY
Orifice: Inserted slot	Stainless steel series 300

On request:

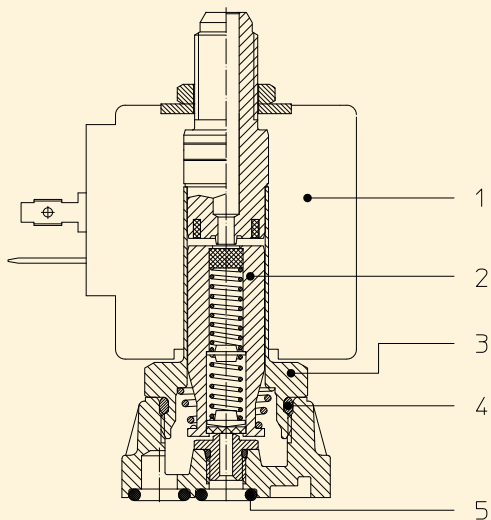
Connector	Pg 9 or Pg 11
Connector conformity	ISO 4400

FEATURES:

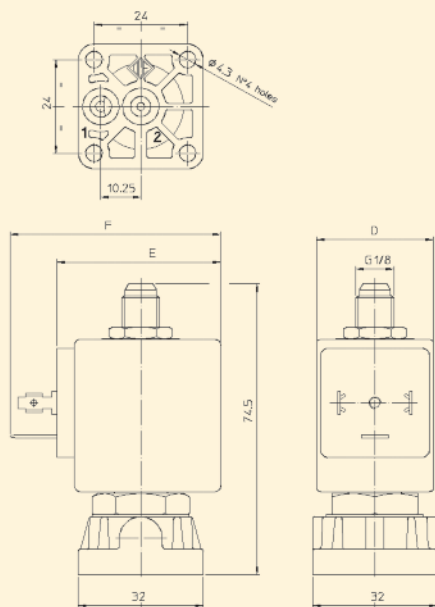
Electrical conformity	IEC 335
Protection degree	IP 65 EN 60529 (DIN 40050) with coil fitted by connector.

SPARE PARTS:

- 1. Coil:**
See coils list
- 2. Complete plunger:**
Code R450982
- 3. Complete armature tube:**
Code R450864
- 4. Gasket O-Ring:**
Code R990000/VX
- 5. Gasket O-Ring:**
Code R990002/S



DIMENSIONS:



COIL TYPE	POWER ABSORPTION			DIMENSIONS		
	W ---	Hold VA ~	Inrush VA ~	D mm	E mm	F mm
B	8	14,5	25	30	42	54