



# Solenoid valve 2/2 way N.C. Combined operation

21IH2K1V110  
÷  
21IH8K1V400-S

## PRESENTATION:

Combined operation S.V. for interception of fluids compatible with the construction materials.  
Minimum operational pressure is not required.  
The materials used and the tests carried out ensure maximum reliability and duration.

**USE:** Automation - Heating - Chemistry

**PIPES:** G 1/4 - G 1 1/2

**COILS:**

8W - Ø 13	
BDA - BSA	155°C (class F)
BDV	180°C (class H)
12W - Ø 13	
UDA	155°C (class F)
14W - Ø 13	
GDA - GDS	155°C (class F)
GDH - GDV	180°C (class H)

**COIL HOUSING AND COIL FORMER MATERIAL ARE MADE BY 100% VIRGIN MATERIAL.**

Max. allowable pressure (PS) 16 bar

Ambient temperature:

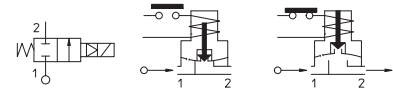
See coils catalogue page for its compatibility.



**CE Approval**

(Pressure Equipment Directive 2014/68/EU)

for S.V. 21IH7+21IH8..-S

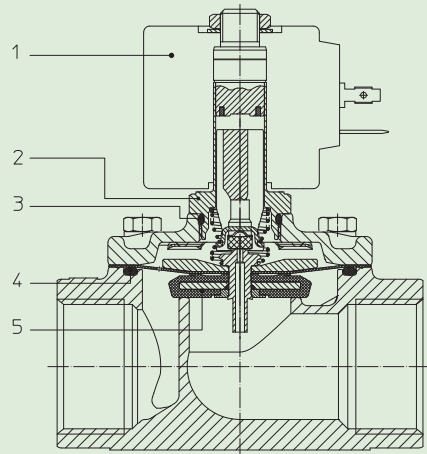
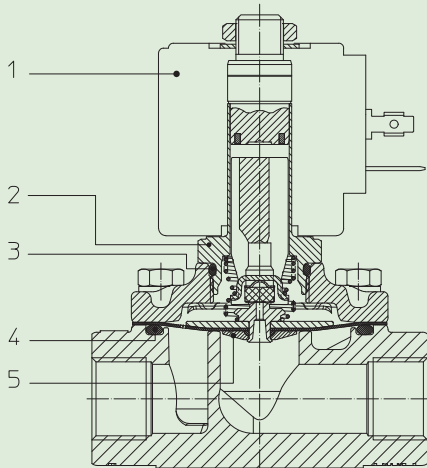


Gaskets	Temperature		Medium
<b>V</b> =FKM + PA (fluoroelastomer+polyamide)	- 10°C	+140°C	Mineral oils (2°E),gasoline gas oil
<b>B</b> = NBR + PA (nitrile rubber+polyamide)	- 10°C	+ 90°C	Air, inert gas, water

For seals other than FKM replace the letter "V" with the ones corresponding to the other seals. E.I. 21IH3K1**B**150.

Pipe ISO 228/1	Code	Max viscosity		Ø mm	Kv l/mn	Power watt	Pressure		
		cSt	°E				min bar	M.O.P.D. AC bar DC bar	
G 1/4	21IH2K1V110	12	~ 2	11	20	8	0	14	6
								-	14
G 3/8	21IH3K1V150			15	40	8		14	6
						-		14	
G 1/2	21IH4K1V160			16	50	8		14	6
						-		14	
G 3/4	21IH5K1V200			20	60	8		14	6
						-		14	
G 1	21IH6K1V250			25	140	8		14	3
						12		-	8
						14		-	14
G 1 1/4	21IH7K1V350			35	300	8		8	-
						12		14	-
						14		-	2
	21IH7K1V350-S					8		-	1
						12		-	4
		14	-			7			
G 1 1/2	21IH8K1V400	40	320	8	8	-			
				12	14	-			
				14	-	2			
	21IH8K1V400-S			8	-	1			
				12	-	4			
				14	-	7			

The "ODE" reserves the right to carry out technical and aesthetic modifications without prior notice.



**MATERIALS:**

- Body** Stainless steel AISI 316
- Armature tube** Stainless steel AISI 316
- Fixed core** Stainless steel AISI series 400
- Plunger** Stainless steel AISI series 400
- Phase displacement ring** Gold plated copper
- Spring** Stainless steel AISI series 300
- Seal** Standard: V=FKM+PA  
On request: B=NBR+PA
- Orificie** Stainless steel AISI 316

- On request:**
- Connector** Pg 9 o Pg 11
- Connector conformity** ISO 4400

**FEATURES:**

- Electrical conformity** IEC 335
- Protection degree** IP 65 EN 60529 (DIN 40050)  
with coil fitted by connector.

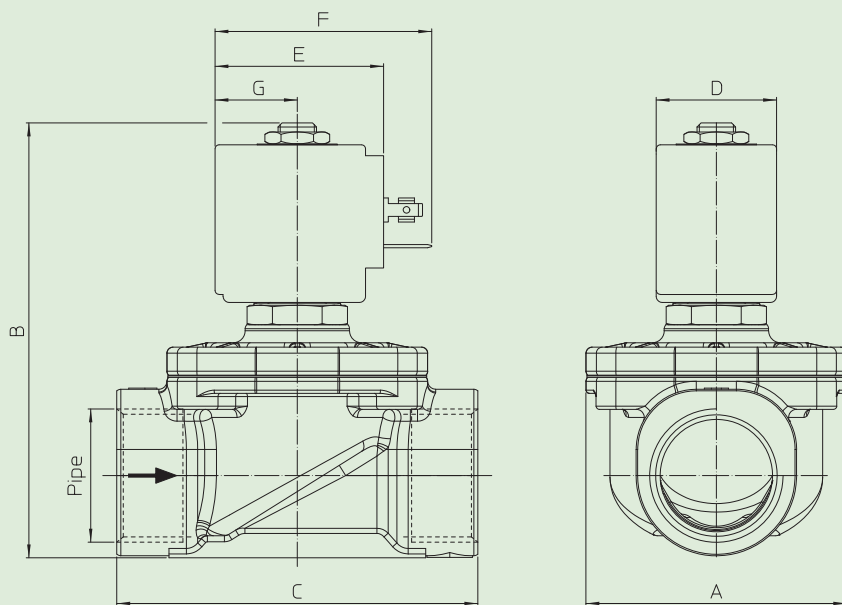
**SPARE PARTS:**

- 1. Coil:** G 3/4 Code R452899/V  
See coils list G 1 Code R452846/V
- 2. Complete plunger:** G 1 1/4÷ G 1 1/2 Code R452904/V  
Code R450811
- 3. Gasket O-Ring:** Code R990000/V
- 4. Gasket O-Ring:** G 1/4÷G1/2 Code R990105/V  
G 3/4 Code R992103/V  
G 1 Code R992109/V  
G 1 1/4 ÷ G 1 1/2 Code R992101/V
- 5. Complete diaphragm with plunger:** G 1/4÷G1/2 Code R452894/V

**MAINTENANCE KIT:**

- G 1/4 ÷ G 1/2
- KTGIH3K1V15=4+5
- G 3/4
- KTGIH5K1V20=4+5
- G1
- KTGIH6K1V25=4+5
- G 1 1/4 ÷ G 1 1/2
- KTGIH7K1V35=4+5

**DIMENSIONS:**



Type	Pipe ISO 228/1	A mm	B mm	C mm
21H2K1V110	G 1/4	52	87	56
21H3K1V150	G 3/8		92	68
21H4K1V160	G 1/2		100	75
21H5K1V200	G 3/4	65	109	90
21H6K1V250	G 1	94	126	128
21H7K1V350	G 1 1/4			
21H7K1V350-S	G 1 1/2			
21H8K1V400				
21H8K1V400-S				

COIL TYPE	POWER ABSORPTION			DIMENSIONS			
	W ==	Hold VA ~	Inrush VA ~	D mm	E mm	F mm	G mm
B	8	14,5	25	30	42	54	20,5
U	12	23	35	36	48	60	23,5
G	14	27	43	52	55	67	25