



Solenoid valve 2/2 way N.O. Direct acting

21JN110V12
÷
21JN110V23

PRESENTATION:

Direct acting S.V. for interception of fluids compatible with the construction materials.

Minimum operational pressure is not required.

The materials used and the tests carried out ensure maximum reliability and duration.

USE: Automation
Heating

PIPES: G 1/8

COIL: 5W - Ø 10
LBA 155°C (classe F)
LBF - LBV 180°C (classe H)

COIL HOUSING AND COIL FORMER MATERIAL ARE MADE BY 100% VIRGIN MATERIAL.

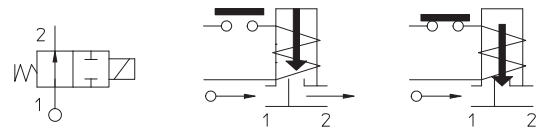
Max. allowable pressure (PS) 40 bar

Ambient temperature:

See coils catalogue page for its compatibility.



Gaskets	Temperature		Medium
	- 10°C	+140°C	
V=FKM (fluoroelastomer)	- 10°C	+140°C	Mineral oils (2°E), gasoline gas oil, fuel oils (5°E)
B=NBR (nitrile rubber)	- 10°C	+ 90°C	Air, inert gas, water



For seals other than FKM replace the letter "V" with the ones corresponding to the other seals. E.I 21JN110B12.

Pipe ISO 228/1	Code	Max viscosity		Ø mm	Kv l/mn	Power watt	Pressure		
		cSt	°E				min bar	M.O.P.D.	
								AC bar	DC bar
G 1/8	21JN110V12	12	~ 2	1,2	1	5	0	23	17
	21JN110V23	37	~ 5	2,3	2,3			6	5

Note

Available also with brass body without lead | Available on request and with minimum quantities.

The "ODE" reserves the right to carry out technical and aesthetic modifications without prior notice.

MATERIALS:

Body	Brass
Armature tube	Stainless steel AISI series 300
Fixed core	Stainless steel AISI series 400
Plunger	Stainless steel AISI series 400
Phase displacement ring	Copper - Cu 99,9%
Spring	Stainless steel AISI series 300
Seal	Standard: V=FKM On request: B=NBR
Orifice	Brass

On request:	Pg 9 or Pg 11
Connector	ISO 4400
Connector conformity	ISO 4400

FEATURES:

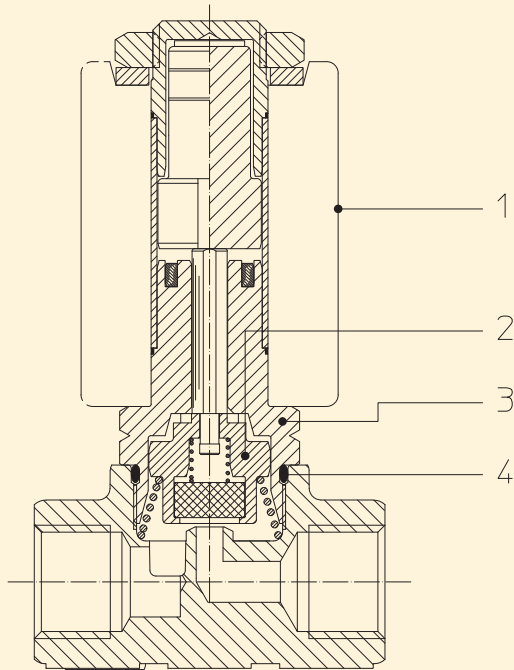
Electrical conformity	IEC 335
Protection degree	IP 65 EN 60529 (DIN 40050) with coil fitted by connector.

SPARE PARTS:

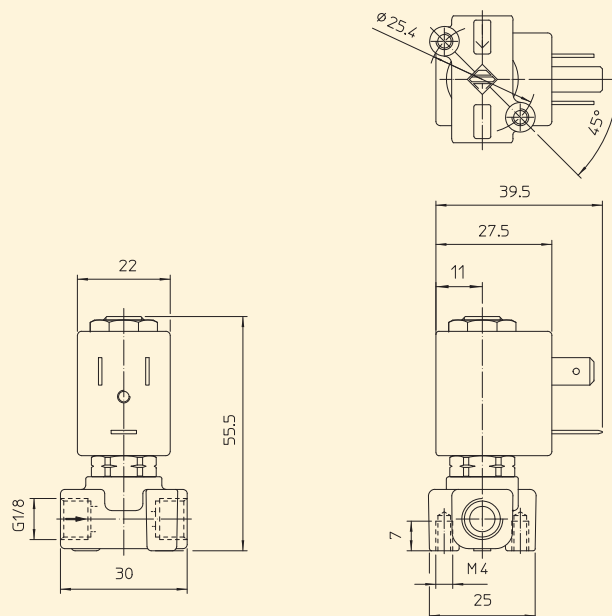
- Coil:**
See coils list
- Complete armature tube without gasket:**
Code R452964/V
- Complete armature tube:**
Code R452959
- Gasket O-Ring:**
Code R990597/V

KIT:

KT10010V25-F=2+3+4



DIMENSIONS:



COIL TYPE	POWER ABSORPTION		
	W	Hold VA ~	Inrush VA ~
L	5	10	15