



Solenoid valve 2/2 way N.C. With pilot control

21W8KB650
÷
21W9KB750-HP

PRESENTATION:

S.V. with pilot control for interception of fluids compatible with the construction materials.

A minimum operational pressure is required.

The materials used and the tests carried out ensure maximum reliability and duration.

USE: Automation
Heating

PIPES: G 2 1/2 - G 3

COILS: 8W - Ø 13
BDA - BSA 155°C (class F)
BDV 180°C (class H)

COIL HOUSING AND COIL FORMER MATERIAL ARE MADE BY 100% VIRGIN MATERIAL.

Max. allowable pressure (PS) 20 bar

Ambient temperature:

See coils catalogue page for its compatibility.

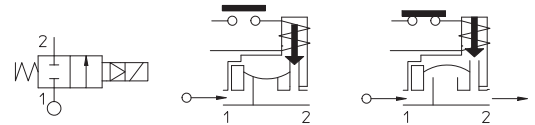
For more information refer about the groups regarding to the Directive below or contact our technical service.



Gaskets	Temperature	Medium*
B=NBR (nitrile rubber)	- 10°C + 90°C	Air, water, inert gas

* Use only with gaseous fluids of Group 2 (i.c. air) or for liquids or fluids Group 1 and 2 (i.c. water).

Definition type of fluid according to Directive 2014/68/EU



Pipe ISO 228/1	Code	Max viscosity		Ø mm	Kv l/mn	Power watt	Pressure		
		cSt	°E				min bar	M.O.P.D. AC bar DC bar	
G 2 1/2	21W8KB650	12	~ 2	65	1250	8	0,3	5	5
	21W8KB650-HP						3	15	15
G 3	21W9KB750			0,3	5		5		
	21W9KB750-HP			3	15		15		



CE Approval

(Pressure Equipment Directive 2014/68/EU)

Note

The solenoid is supplied with already assembled nozzle Ø 1.2 mm in the standard configuration. Undersized and oversized nozzles are supplied to adjust the switching velocity depending on the valve application.

The "ODE" reserves the right to carry out technical and aesthetic modifications without prior notice.

MATERIALS:

Body	Brass - UNI EN 12165 CW617N
Armature tube	Stainless steel AISI series 300
Fixed core	Stainless steel AISI series 400
Plunger	Stainless steel AISI series 400
Phase displacement ring	Copper - Cu 99,9%
Spring	Stainless steel AISI series 300
Seal	B=NBR
Orifice	Brass - UNI EN 12165 CW617N

On request:

Connector	Pg 9 or Pg 11
Connector conformity	ISO 4400

FEATURES:

Electrical conformity	IEC 335
Protection degree	IP 65 EN 60529 (DIN 40050) with coil fitted by connector.

SPARE PARTS:

1. Coil:	See coils list	6. Complete diaphragm:	Code R453503/B
2. Complete plunger:	Code R453494/B	7. Complete diaphragm:	Code R453509/B
3. Complete armature tube:	Code R453502		
4. Gasket O-Ring:	Code R990000/B		
5. Nozzle:	Ø 0,8 Cod. R453535/08 Ø 1,2 Cod. R453535/12 Ø 1,5 Cod. R453535/15		

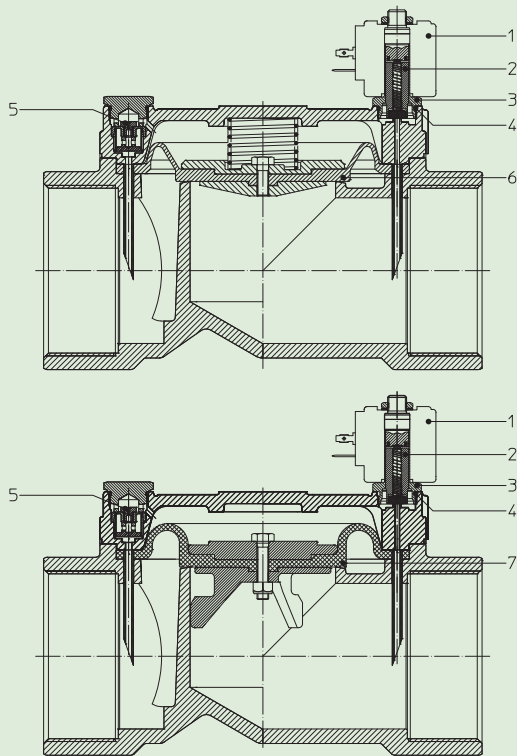
KIT:

KT130KB30-FC=2+3+4

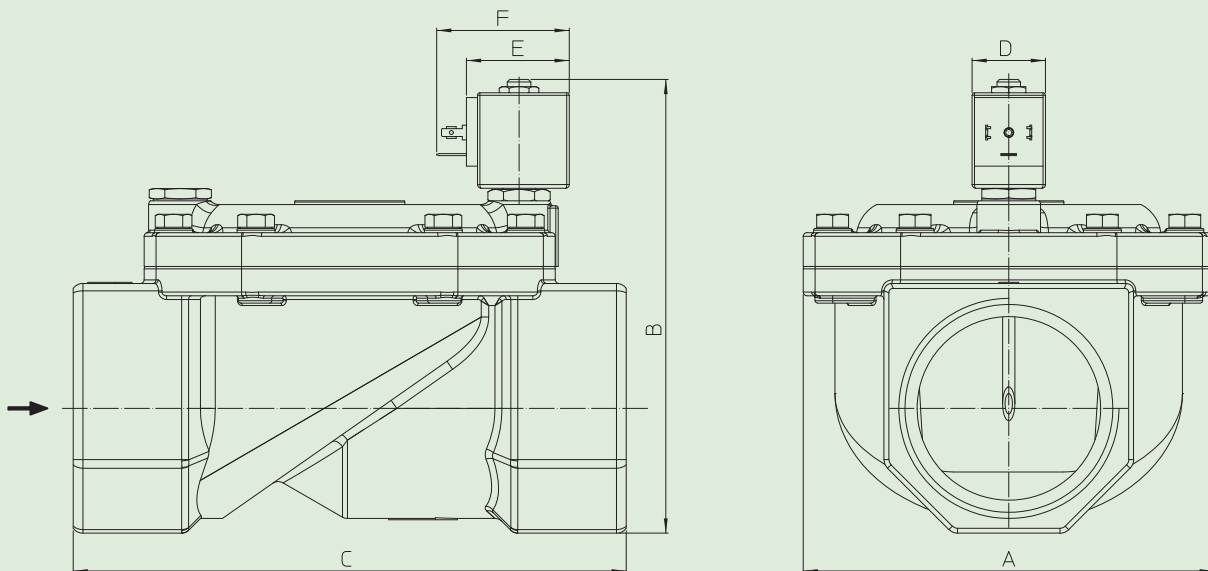
MAINTENANCE KIT:

KTG0W8KB65=2+6

KTG0W8KB65-HP=2+7



DIMENSIONS:



Type	Pipe ISO 228/1	A mm	B mm	C mm
21W8KB650	G 2 1/2	168	187	226
21W8KB650-HP				
21W9KB750	G 3			
21W9KB750-HP				

COIL TYPE	POWER ABSORPTION			DIMENSIONS		
	W =	Hold VA ~	Inrush VA ~	D mm	E mm	F mm
B	8	14,5	25	30	42	54