



8 WATT COILS 30 mm X Ø 13 mm

BDA Molding material: PA - Black polyamide - class F (155°C) - STANDARD

ADA Molding material: PA - Black polyamide - class F (155°C) - EARTH TAB ABOVE

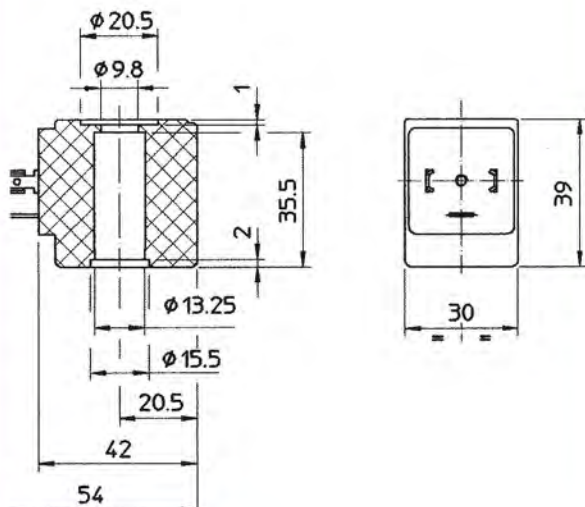
**COIL
BDA**



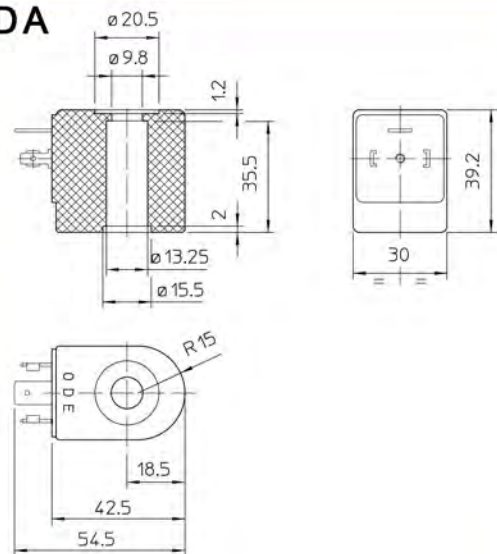
ADA (230 Volt/50Hz Only)



BDA



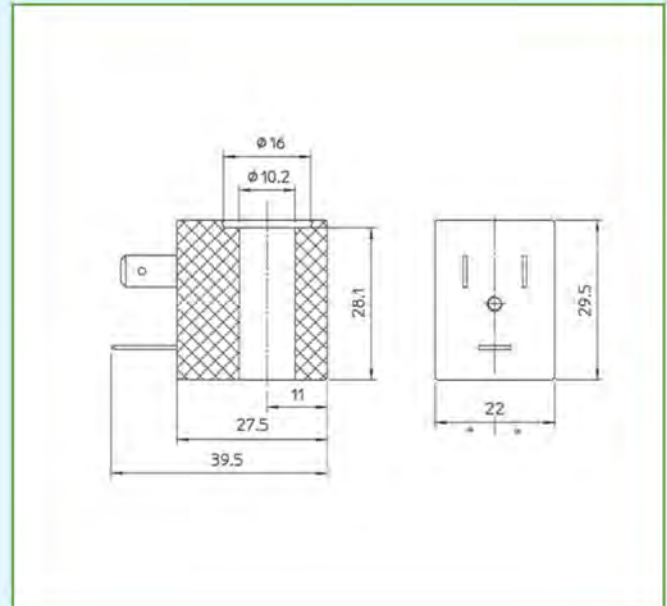
ADA





5 WATT COILS 22 mm X Ø 10 mm

COIL **LBA** Molding material: PA - Black polyamide - class F (155°C)



CODE	POWER	VOLTAGE	DESCRIPTION	
5W24DC	5 WATT	24 VDC	MINI	LBA
5W230AC	5 WATT	230 V 50 Hz	MINI	LBA
24DC	8 WATT	24 VDC	STANDARD	BDA
24AC	8 WATT/14.5 VA	24 V 50 Hz	STANDARD	BDA
110AC	8 WATT/14.5 VA	110 V 50 Hz	STANDARD	BDA
240AC	8 WATT/14.5 VA	240 V 50 Hz	STANDARD	BDA
230AC ADA	8 WATT/14.5 VA	230 V 50 Hz	EARTH TAB ABOVE	ADA
P990305	SQUARE DIN PLUG FOR 8. 12 AND 14 WATT COILS			
P990307	RECTANGULAR PLUG FOR 5 WATT COILS			

NOMINAL VOLTAGE TOLERANCES:
 DC + 10% - 5%
 AC + 10% - 15%