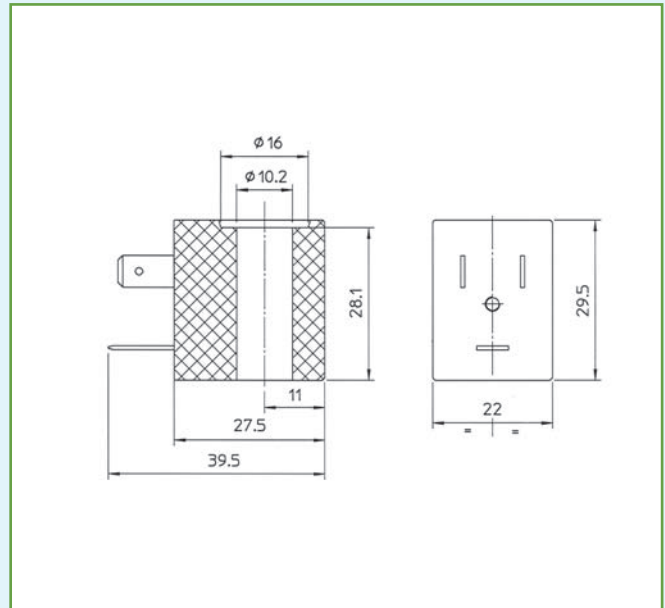




5 WATT COILS 22 mm X Ø 10 mm

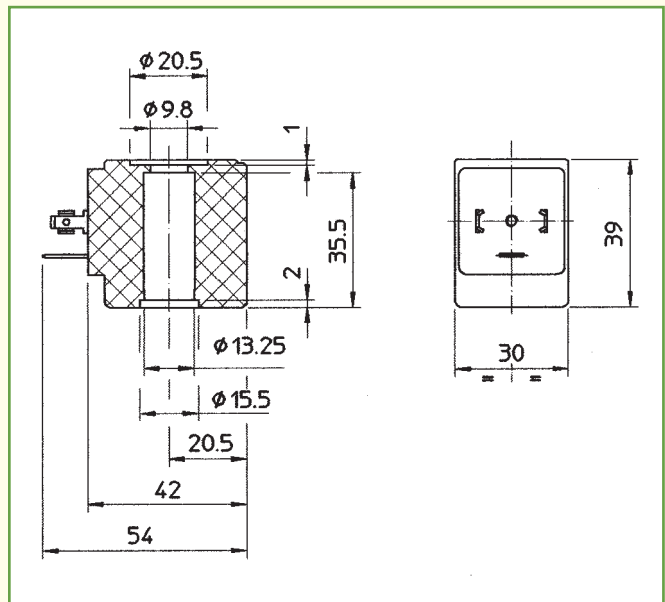
COIL **LBA** Molding material: PA - Black polyamide - class F (155°C)



8 WATT COILS 30 mm X Ø 13 mm

COIL **BDA** Molding material: PA - Black polyamide - class F (155°C)

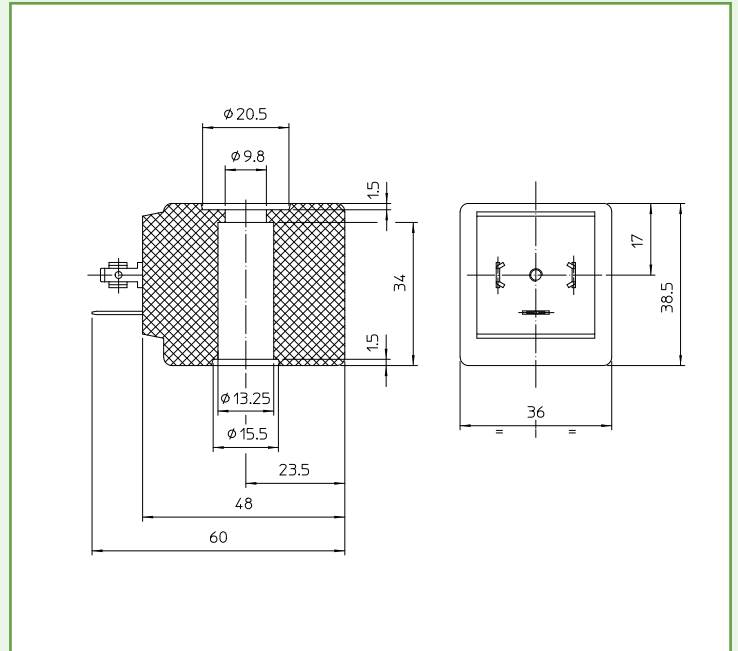
COIL





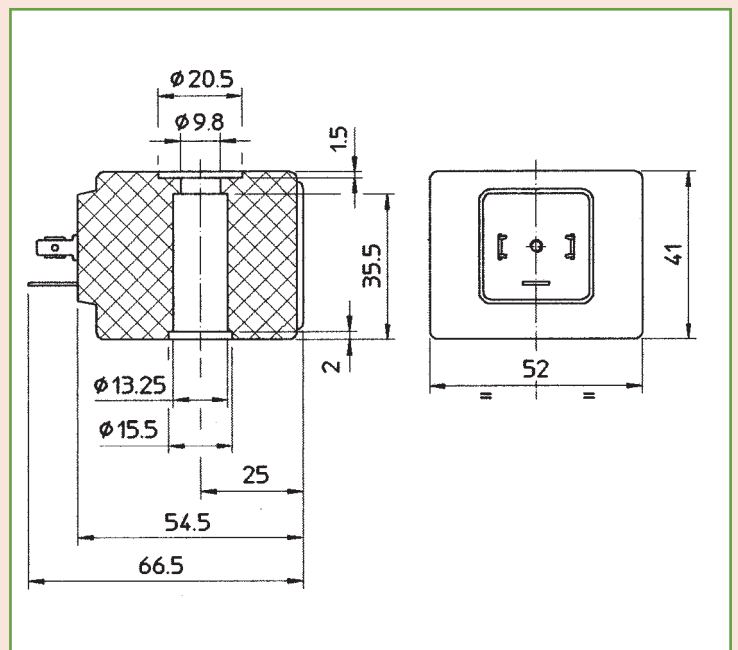
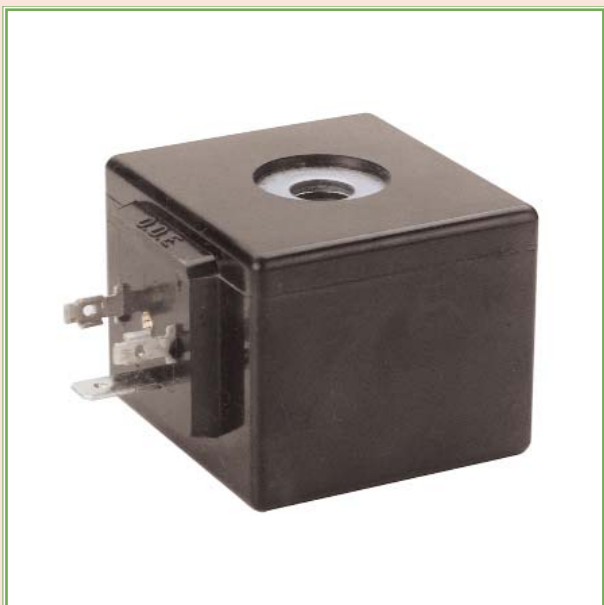
12 WATT COILS 36 MM X Ø 13 MM

COIL UDA Molding material: EP - Black epoxy resin - class F (155°C)



14 WATT COILS 52 mm X Ø 13 mm

COIL GDH Molding material: EP - Black epoxy resin - class H (180°C)



| CODE | POWER | VOLTAGE | DESCRIPTION | APPROVALS |
|-------------------|---|------------|-----------------|---|
| 5W12DC | 5 Watt | 12 VDC | COMPACT | CE |
| 5W24DC | 5 Watt | 24 VDC | COMPACT | CE |
| 5W24AC | 5 Watt/10VA | 24 V 50Hz | COMPACT | CE |
| 5W110AC | 5 Watt/10VA | 110 V 50Hz | COMPACT | CE UL |
| 5W230AC | 5 Watt/10VA | 230 V 50Hz | COMPACT | CE |
| 12AC | 8 Watt/14.5VA | 12 V 50Hz | STANDARD | CE |
| 12DC | 8 Watt | 12 VDC | STANDARD | |
| 24AC | 8 Watt/14.5VA | 24 V 50Hz | STANDARD | CE |
| 24DC | 8 Watt | 24 VDC | STANDARD | CE |
| 24DC Hi Temp | 11 Watt | 24 VDC | Hi Temp | CE VDL CSA VDE |
| 110AC | 8 Watt/14.5VA | 110 V 50Hz | STANDARD | CE |
| 230AC Hi Temp | 16VA | 230 V 50Hz | Hi Temp | CE VDL CSA VDE |
| 230AC Flying Lead | 8 Watt/14.5VA | 230 V 50Hz | 1.0m Leads | CE |
| 230AC ADA | 8 Watt/14.5VA | 230 V 50Hz | Earth Tab Above | CE VDE |
| 230DC | 8 Watt | 230 VDC | STANDARD | CE |
| 240AC | 8 Watt/14.5VA | 240 V 50Hz | STANDARD | CE |
| 400AC | 8 Watt/14.5VA | 400 V 50Hz | STANDARD | |
| 12W12DC | 12 Watt | 12 VDC | HIGH PRESSURE | |
| 12W24DC | 12 Watt | 24 VDC | HIGH PRESSURE | CE |
| 12W24AC | 12 Watt/23VA | 24 V 50Hz | HIGH PRESSURE | CE |
| 12W110AC | 12 Watt/23VA | 110 V 50Hz | HIGH PRESSURE | CE |
| 12W230AC | 12 Watt/23VA | 230 V 50Hz | HIGH PRESSURE | CE |
| 14W12DC | 14 Watt | 12 VDC | HI PERFORMANCE | |
| 14W24DC | 14 Watt | 24 VDC | HI PERFORMANCE | CE |
| 14W24AC | 14 Watt/27VA | 24 V 50Hz | HI PERFORMANCE | CE |
| 14W110AC | 14 Watt/27VA | 110 V 50Hz | HI PERFORMANCE | CE |
| 14W230AC | 14 Watt/31VA | 230 V 50Hz | HI PERFORMANCE | CE |
| P990305 | SQUARE DIN PLUG FOR 8, 12 AND 14 Watt COILS | | |  |
| P990307 | RECTANGULAR PLUG FOR 5 Watt COILS | | |  |

NOMINAL VOLTAGE

DC + 10% -5%

TOLERANCES:

AC + 10% -15%

Other voltages and power absorptions available on demand and for quantities.