



# Solenoid valve 2/2 way N.C. Direct acting

21JN1R0V12

÷

21JN1R0V23

## PRESENTATION:

Direct acting S.V. for interception of fluids compatible with the construction materials.

Minimum operational pressure is not required.

The materials used and the tests carried out ensure maximum reliability and duration.

**USE:** Automation  
Heating

**PIPES:** G 1/8

**COILS:**

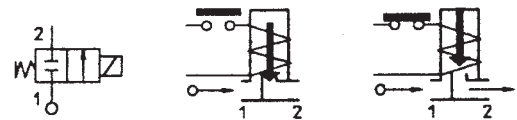
2,5W - Ø 10	
LBA	155°C (class F)
5W - Ø 10	
LBA	155°C (class F)
LBF	180°C (class H)

Max. allowable pressure (PS) 40 bar  
 Environment temperature:  
 with class F or high temperature coils - 10°C + 60°C  
 with class H coil - 10°C + 80°C



Gaskets	Temperature		Medium
V=FKM (fluoroelastomer)	- 10°C	+140°C	Mineral oils (2°E), gasoline gas oil, fuel oils (5°E)
B=NBR (nitrile rubber)	- 10°C	+ 90°C	Air, inert gas, water

For seals other than FKM replace the letter "V" with the ones corresponding to the other seals. E.I. 21JN1R0B12.

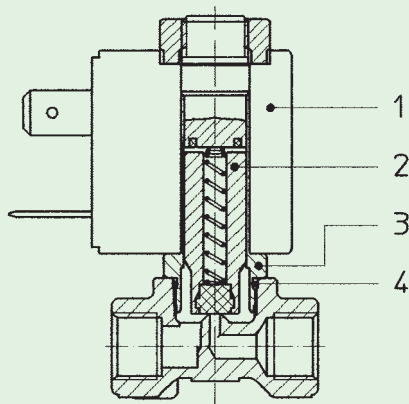


Pipe ISO 228/1	Code	Max viscosity		Ø mm	Kv l/mn	Power (watt)	Pressure		
		cSt	°E				min bar	M.O.P.D. AC bar DC bar	
G 1/8	21JN1R0V12	12	~ 2	1,2	1	2,5	0	20	3,5
						5		25	12
	21JN1R0V23	37	~ 5	2,3	2,3	2,5		6	-
						5		18	8

## Note

Available also with brass body without lead.

The "ODE" reserves the right to carry out technical and aesthetic modifications without prior notification.



**MATERIALS:**

- Body** Brass
- Armature tube** Stainless steel AISI series 300
- Fixed core** Stainless steel AISI series 400
- Plunger** Stainless steel AISI series 400
- Phase displacement ring** Copper - Cu 99,9%
- Spring** Stainless steel AISI series 300
- Seal** Standard: V=FKM  
On request: B=NBR
- Orifice** Brass

**On request:**

- Connector** Pg 9 or Pg 11
- Connector conformity** ISO 4400

**FEATURES:**

- Electrical conformity** IEC 335
- Protection degree** IP 65 EN 60529 (DIN 40050)  
with coil fitted by connector.

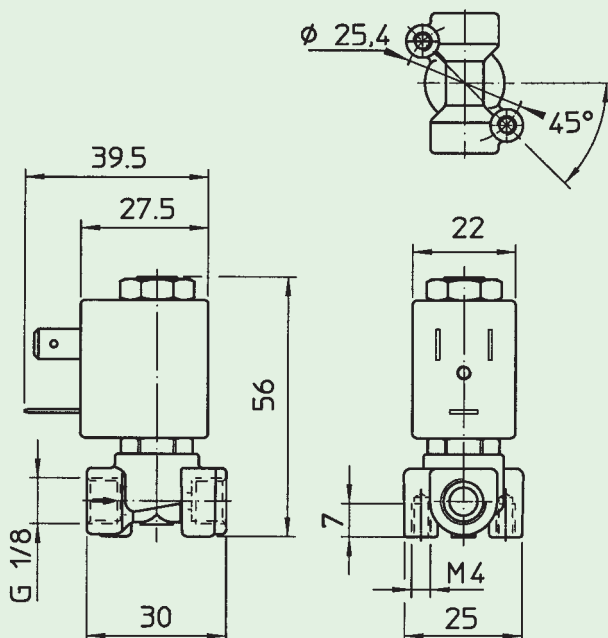
**SPARE PARTS:**

- 1. Coil:**  
See coils list
- 2. Complete plunger:**  
Code R451101/V
- 3. Complete armature tube:**  
Code R452062
- 4. Gasket O-Ring:**  
Code R990597/V

**KIT:**

KT100R0V25-FJ=2+3+4

**DIMENSIONS:**



COIL	POWER ABSORPTION	
	Inrush VA ~	Hold VA ~
2,5 W	7	4
5 W	15	11