



**Total separation solenoid valve  
2/2 way N.C. with flow regulation  
Direct acting - NSF Certified**

21K72RRS90-000

÷

26K72RRS90-000

**PRESENTATION:**

Bank S.V. for automatic drink dispensers.  
Minimum operational pressure is not required.  
The materials used and the tests carried out ensure maximum reliability and duration.

**USE:** Automatic drink dispensers

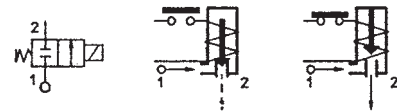
**PIPES:** Please turn over (A-B-D-I-L-R)

**BOBINE:** 12W ED 50% - Ø 10  
ICA 155°C (class F)

Environment temperature - 10°C + 60°C



Gaskets	Temperature		Medium
S=VMQ (silicone)	+ 2°C	+100°C	Water



Pipe	Code	Max viscosity		Ø mm	Kv l/mn	Power (watt)	Pressure		
		cSt	°E				min bar	M.O.P.D. AC bar DC bar	
See connection types overleaf (A-B-D-I-L-R)	21K72RRS90-000	-	-	9	*	12 ED 50%	0	0,3	0,3
	22K72RRS90-000								
	23K72RRS90-000								
	24K72RRS90-000								
	25K72RRS90-000								
	26K72RRS90-000								

\* FLOW RATE WITH HEAD OF 80 mm = 2,5 l/min.

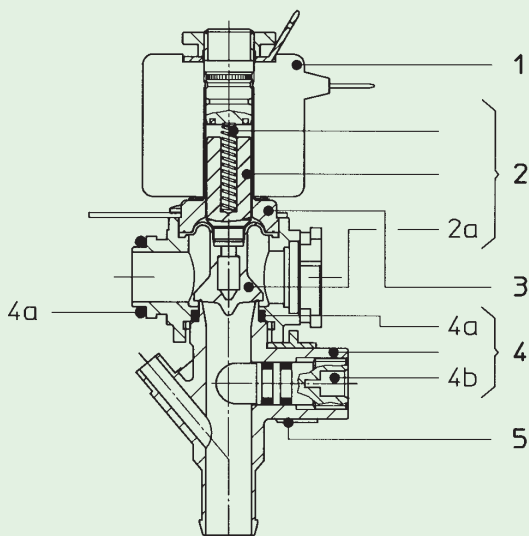
**NSF CERTIFIED**



**Note**

Available on request and with minimum quantities.

The "ODE OFFICINE DI ESINO LARIO" reserves the right to carry out technical and aesthetic modifications without prior notification



**MATERIALS:**

- Body** PSU (Polysulphone)
- Lower body** PSU (Polysulphone)
- Lower body clamping device** PA (Polyamide)
- Armature tube** Brass - UNI EN 12164 CW614N
- Fixed core** Stainless steel AISI series 400
- Plunger** Stainless steel AISI series 400
- Phase displacement ring** Copper - Cu 99,9%
- Spring** Stainless steel AISI series 300
- Bellow membrane** Standard: S = VMQ  
On request W = MFQ

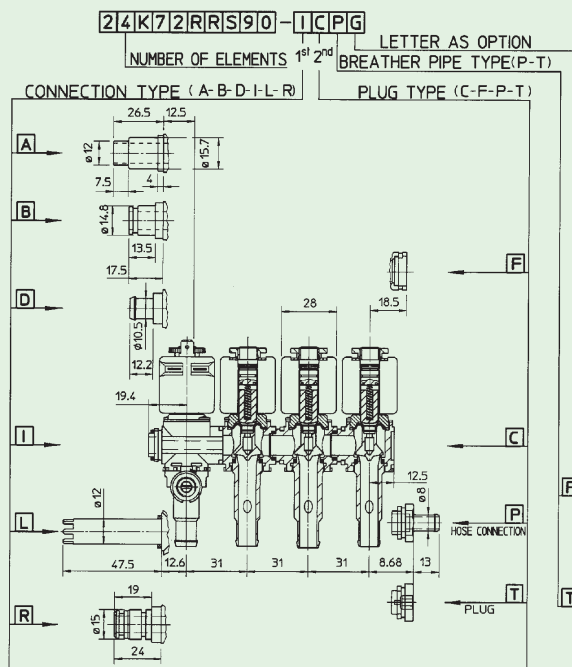
**SPARE PARTS:**

- 1. Coil:** See coils list
- 2. Complete plunger:** Cod. R452236/S
- 2a. Bellow membrane:** Code R452224/S
- 3. Complete armature tube:** Code R452241
- 4. Lower body assembly:** Code R452294
- 4a. Gasket O-Ring:** Code R990052/S
- 4b. Flow setting screw with O-Rings:** Code R452226
- 4c. Lower body clamping device:** Code R452259

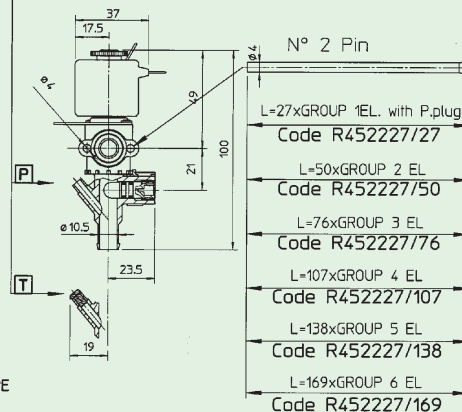
**KIT:**  
KR130RRS90-L2=2+3

**DIMENSIONS:**

**SOLENOID VALVE CODING WITH ACCESSORIES**



- KEY :**
- A = Connection  $\varnothing 15.7 \times 22.5$
  - B = Connection  $\varnothing 15 \times 13.5$  with OR
  - C = S.V. body-closed
  - D = Hose connection  $\varnothing 10.5 \times 12.2$
  - F = S.V. body-open-female bayonet joint
  - G = Selflocking gasket (R451856) for connection type 'A' only
  - I = Male bayonet joint
  - L = Connection  $\varnothing 12 \times 47.5$
  - P = Hose connection
  - R = Quick coupling joint  $\varnothing 15 \times 19$
  - T = Polysulphone plug for F joint
  - T = Silicone plug for breather pipe



- FOR LEFT INLET INDICATE THE LETTER CORRESPONDING TO CONNECTION TYPE IN THE FIRST BOX, AND TO PLUG TYPE IN THE SECOND BOX.

- FOR RIGHT INLET INDICATE THE LETTER CORRESPONDING TO CONNECTION TYPE IN THE SECOND BOX, AND TO PLUG TYPE IN THE FIRST BOX.

COIL	POWER ABSORPTION		TYPE
	Inrush VA ~	Hold VA ~	
12 W	30	21	I