



# Solenoid valve 3/2 way N.C. Direct acting

31A3AV10  
÷  
31A2AV30

## PRESENTATION:

Direct acting S.V. for interception of fluids compatible with the construction materials.

Minimum operational pressure is not required.

The materials used and the tests carried out ensure maximum reliability and duration.

**USE:** Automation  
Heating

**PIPES:** G 1/8 - G 1/4

**COILS:** 8W - Ø 13 (1)  
BDA - BDS - BSA 155°C (class F)  
BDP 160°C (high temperature)  
BDF 180°C (class H)  
SDH 180°C (class H)

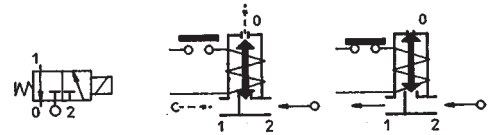
(1) Explosion-proof housing for coils with electrical connections EN 175301-803 on request.



Max. allowable pressure (PS) 40 bar  
Environment temperature:  
with class F or high temperature coils - 10°C + 60°C  
with class H coil - 10°C + 80°C

Gaskets	Temperature		Medium
V=FKM (fluoroelastomer)	- 10°C	+140°C	Mineral oils (2°E), gasoline gas oil
B=NBR (nitrile rubber)	- 10°C	+ 90°C	Air, inert gas, water

For seals other than FKM replace the letter "V" with the ones corresponding to the other seals. E.I. 31A3AB15.



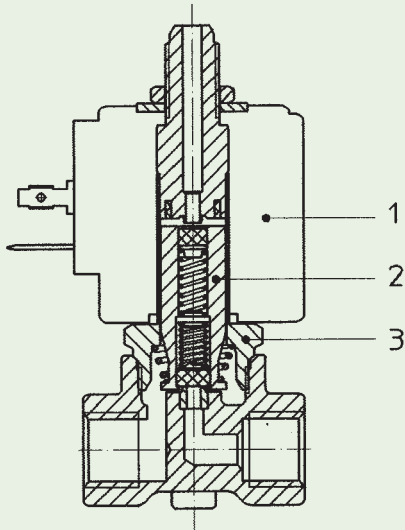
Pipe ISO 228/1	Code	Max viscosity		Ø mm	Kv l/mn	Power (watt)	Pressure				
		cSt	°E				min bar	M.O.P.D. AC bar DC bar			
G 1/8	31A3AV10	12	~ 2	1*	0,45	8	0	20	20		
	31A3AV15			1,5*	1,4			15	15		
	31A3AV20	37	~ 5	2*	2			10	10		
	31A3AV25	53	~ 7	2,5*	3,2			6	6		
	31A3AV30			3*	4			5	5		
G 1/4	31A2AR10	12	~ 2	1*	0,45			8	0	20	20
	31A2AV15			1,5*	1,4					15	15
	31A2AV20	37	~ 5	2*	2					10	10
	31A2AV25	53	~ 7	2,5*	3,2					6	6
	31A2AV30			3*	4					5	5

## Note

\* 3rd way exhaust= Ø 2,5 mm

Also available with brass body without lead.

The "ODE" reserves the right to carry out technical and aesthetic modifications without prior notification.



#### MATERIALS:

<b>Body</b>	Brass - UNI EN 12165 CW617N
<b>Armature tube</b>	Stainless steel AISI series 300
<b>Fixed core</b>	Stainless steel AISI series 400
<b>Plunger</b>	Stainless steel AISI series 400
<b>Phase displacement ring</b>	Copper - Cu 99,9%
<b>Spring</b>	Stainless steel AISI series 300
<b>Seal</b>	Standard: V=FKM On request: B=NBR
<b>Orifice: Insert slot</b>	Stainless steel AISI series 300

#### On request:

<b>Connector</b>	Pg 9 or Pg 11
<b>Connector conformity</b>	ISO 4400

#### FEATURES:

<b>Electrical conformity</b>	IEC 335
<b>Protection degree</b>	IP 65 EN 60529 (DIN 40050) with coil fitted by connector.

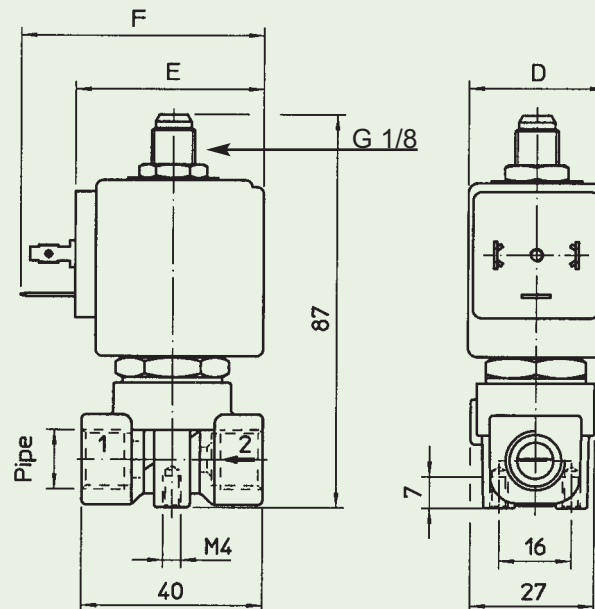
#### SPARE PARTS:

1. **Coil:**  
See coils list
2. **Complete plunger:**  
Code R450675/V
3. **Complete armature tube:**  
Code R450944

#### KIT:

KT130AV30-A=2+3

#### DIMENSIONS:



Type	Pipe ISO 228/1
31A3AV	G 1/8
31A2AV	G 1/4

COIL W	POWER ABSORPTION		TYPE	DIMENSIONS		
	Inrush VA ~	Hold VA ~		D mm	E mm	F mm
8 W	25	14,5	B	30	42	54
			S	32		