



# Solenoid valve 3/2 way N.C. Direct acting

31A3AV10  
÷  
31A2AV30

## PRESENTATION:

Direct acting S.V. for interception of fluids compatible with the construction materials.

Minimum operational pressure is not required.

The materials used and the tests carried out ensure maximum reliability and duration.

**USE:** Automation  
Heating

**PIPES:** G 1/8 - G 1/4

**COILS:** 8W - Ø 13  
BDA - BDS - BSA 155°C (class F)  
BDF - BDV 180°C (class H)  
(1) Explosion-proof housing for coils with electrical connections EN 175301-803 on request

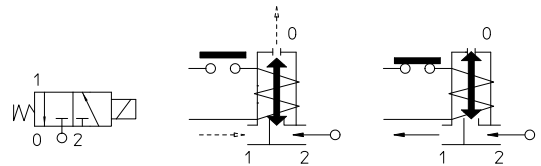
**MOULDING AND BOBBIN ARE MADE BY 100% VIRGIN MATERIAL.**

Max. allowable pressure (PS) 40 bar  
Ambient temperature:  
with coil class **F** - 10°C + 60°C  
with coil class **H** - 10°C + 80°C



| Gaskets                 | Temperature |        | Medium                                  |
|-------------------------|-------------|--------|---|
|                         | - 10°C      | +140°C |   |
| V=FKM (fluoroelastomer) | - 10°C      | +140°C | Mineral oils (2°E), gasoline<br>gas oil |
| B=NBR (nitrile rubber)  | - 10°C      | + 90°C | Air, inert gas, water                   |

For seals other than FKM replace the letter "V" with the ones corresponding to the other seals. E.I. 31A3AB15.



| Pipe<br>ISO 228/1 | Code     | Max viscosity |     | Ø<br>mm | Kv<br>l/mn | Power<br>(watt) | Pressure   |                           |    |
|-------------------|----------|---------------|-----|---------|------------|-----------------|------------|---------------------------|----|
|                   |          | cSt           | °E  |         |            |                 | min<br>bar | M.O.P.D.<br>AC bar DC bar |    |
| G 1/8             | 31A3AV10 | 12            | ~ 2 | 1*      | 0,45       | 8               | 0          | 20                        | 20 |
|                   | 31A3AV15 |               |     | 1,5*    | 1,4        |                 |            | 15                        | 15 |
|                   | 31A3AV20 | 37            | ~ 5 | 2*      | 2          |                 |            | 10                        | 10 |
|                   | 31A3AV25 | 53            | ~ 7 | 2,5*    | 3,2        |                 |            | 6                         | 6  |
|                   | 31A3AV30 |               |     | 3*      | 4          |                 |            | 5                         | 5  |
| G 1/4             | 31A2AV10 | 12            | ~ 2 | 1*      | 0,45       |                 |            | 20                        | 20 |
|                   | 31A2AV15 |               |     | 1,5*    | 1,4        |                 |            | 15                        | 15 |
|                   | 31A2AV20 | 37            | ~ 5 | 2*      | 2          |                 |            | 10                        | 10 |
|                   | 31A2AV25 | 53            | ~ 7 | 2,5*    | 3,2        |                 |            | 6                         | 6  |
|                   | 31A2AV30 |               |     | 3*      | 4          |                 |            | 5                         | 5  |

## Note

\* 3rd way exhaust= Ø 2,5 mm

Also available with brass body without lead.

The "ODE" reserves the right to carry out technical and aesthetic modifications without prior notification.

### MATERIALS:

|                                |                                      |
|--------------------------------|--------------------------------------|
| <b>Body</b>                    | Brass - UNI EN 12165 CW617N          |
| <b>Armature tube</b>           | Stainless steel AISI series 300      |
| <b>Fixed core</b>              | Stainless steel AISI series 400      |
| <b>Plunger</b>                 | Stainless steel AISI series 400      |
| <b>Phase displacement ring</b> | Copper - Cu 99,9%                    |
| <b>Spring</b>                  | Stainless steel AISI series 300      |
| <b>Seal</b>                    | Standard: V=FKM<br>On request: B=NBR |
| <b>Orifice: Insert slot</b>    | Stainless steel AISI series 300      |

### On request:

|                             |               |
|-----------------------------|---------------|
| <b>Connector</b>            | Pg 9 or Pg 11 |
| <b>Connector conformity</b> | ISO 4400      |

### FEATURES:

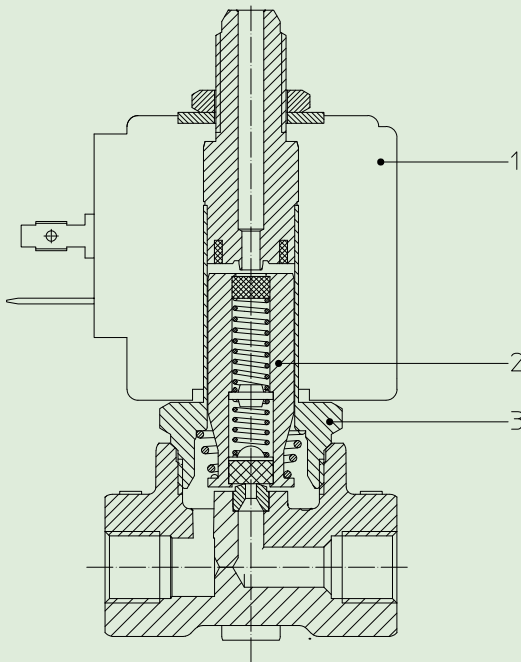
|                              |   |
|------------------------------|---|
| <b>Electrical conformity</b> | IEC 335   |
| <b>Protection degree</b>     | IP 65 EN 60529 (DIN 40050)<br>with coil fitted by connector |

### SPARE PARTS

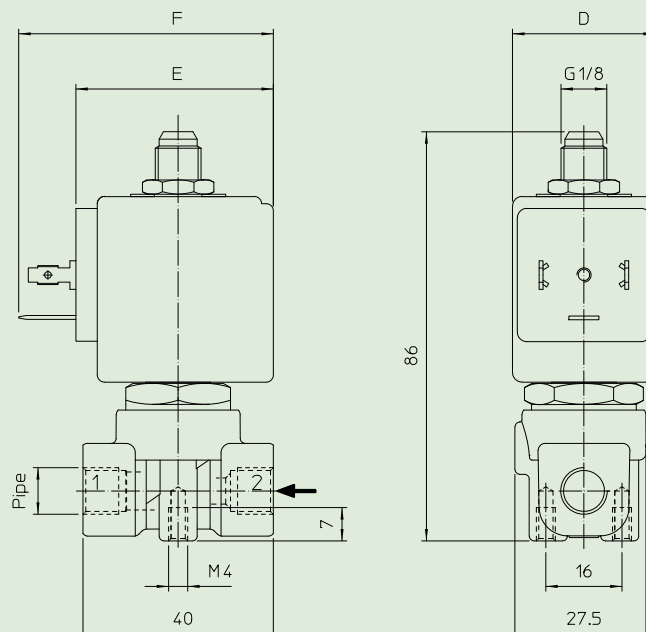
- Coil:**  
See coils list
- Complete plunger:**  
Code R450675/V
- Complete armature tube:**  
Code R450944

### KIT:

KT130AV30-A=2+3



### DIMENSIONS:



| Type   | Pipe<br>ISO 228/1 |
|--------|-------------------|
| 31A3AV | G 1/8             |
| 31A2AV | G 1/4             |

| COIL<br>TYPE | POWER ABSORPTION |              |                | DIMENSIONS |         |         |
|--------------|------------------|--------------|----------------|------------|---------|---------|
|              | W<br>---         | Hold<br>VA ~ | Inrush<br>VA ~ | D<br>mm    | E<br>mm | F<br>mm |
| B            | 8                | 14,5         | 25             | 30         | 42      | 54      |