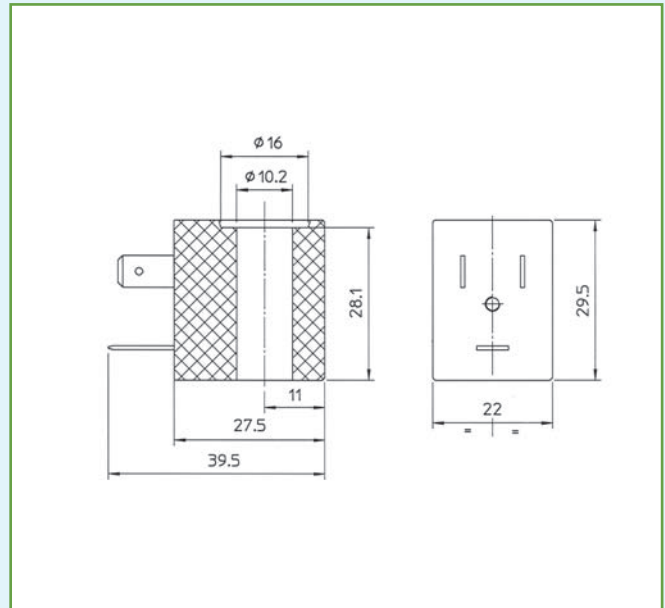




5 WATT COILS 22 mm X Ø 10 mm

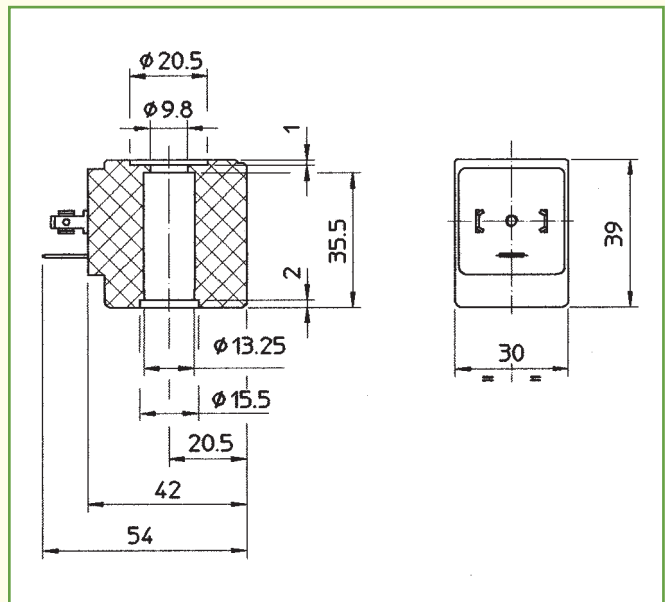
COIL **LBA** Molding material: PA - Black polyamide - class F (155°C)



8 WATT COILS 30 mm X Ø 13 mm

COIL **BDA** Molding material: PA - Black polyamide - class F (155°C)

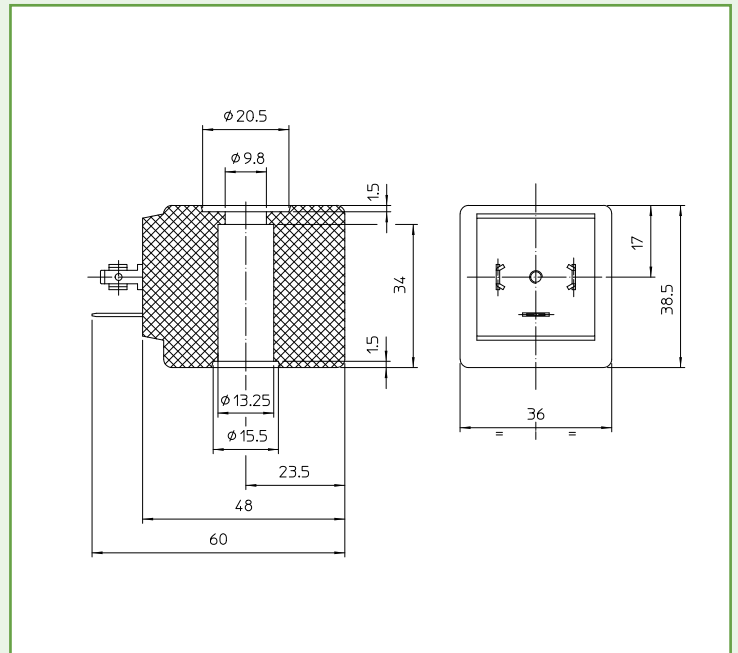
COIL





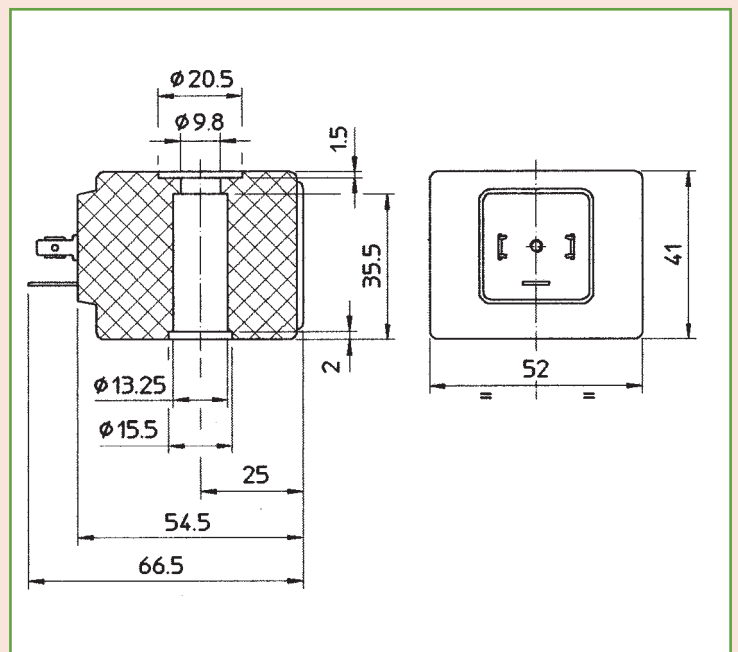
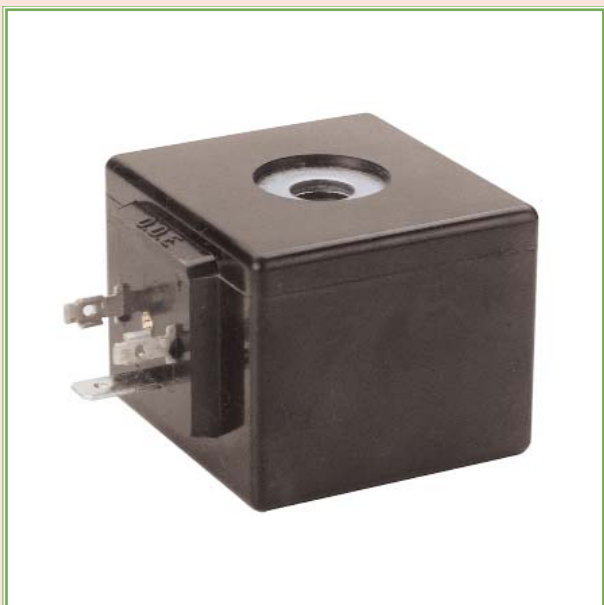
12 WATT COILS 36 MM X Ø 13 MM

COIL UDA Molding material: EP - Black epoxy resin - class F (155°C)



14 WATT COILS 52 mm X Ø 13 mm

COIL GDH Molding material: EP - Black epoxy resin - class H (180°C)



CODE	POWER	VOLTAGE	DESCRIPTION	APPROVALS
5W12D	5 WATT	12 VDC	COMPACT	CE
5W24D	5 WATT	24 VDC	COMPACT	CE
5W24A	5 WATT	24 V 50Hz	COMPACT	CE
5W110A	5 WATT	110 V 50Hz	COMPACT	CE UL
5W230A	5 WATT	230 V 50Hz	COMPACT	CE
12D	8 WATT	12 VDC	STANDARD	
24D	8 WATT	24 VDC	STANDARD	CE
24A	8 WATT	24 V 50Hz	STANDARD	CE
110A	8 WATT	110 V 50Hz	STANDARD	CE
240A	8 WATT	240 V 50Hz	STANDARD	CE
400A	8 WATT	400 V 50Hz	STANDARD	
12W12DC	12 WATT	12 VDC	HIGH PRESSURE/FAST	
12W24DC	12 WATT	24 VDC	HIGH PRESSURE/FAST	CE
12W24AC	12 WATT	24 V 50Hz	HIGH PRESSURE/FAST	CE
12W110AC	12 WATT	110 V 50Hz	HIGH PRESSURE/FAST	CE
12W230AC	12WATT	230 V 50Hz	HIGH PRESSURE/FAST	CE
14W12D	14 WATT	12 VDC	HI PERFORMANCE	
14W24D	14 WATT	24 VDC	HI PERFORMANCE	CE
14W24A	14 WATT	24 V 50Hz	HI PERFORMANCE	CE
14W110A	14 WATT	110 V 50Hz	HI PERFORMANCE	CE
14W220A	14 WATT	220 V 50Hz	HI PERFORMANCE	CE
P990305	SQUARE DIN PLUG FOR 8, 12 AND 14 WATT COILS			
P990307	RECTANGULAR PLUG FOR 5 WATT COILS			

NOMINAL VOLTAGE DC + 10% -5%
TOLERANCES: AC + 10% -15%

Other voltages and power absorptions available on demand and for quantities.