



Solenoid valve 3/2 way N.C. Direct acting - Hose connection exhaust

31JN1XPV12
÷
31JN1XPV23

PRESENTATION:

Direct acting S.V. for interception of fluids compatible with the construction materials.

Minimum operational pressure is not required.

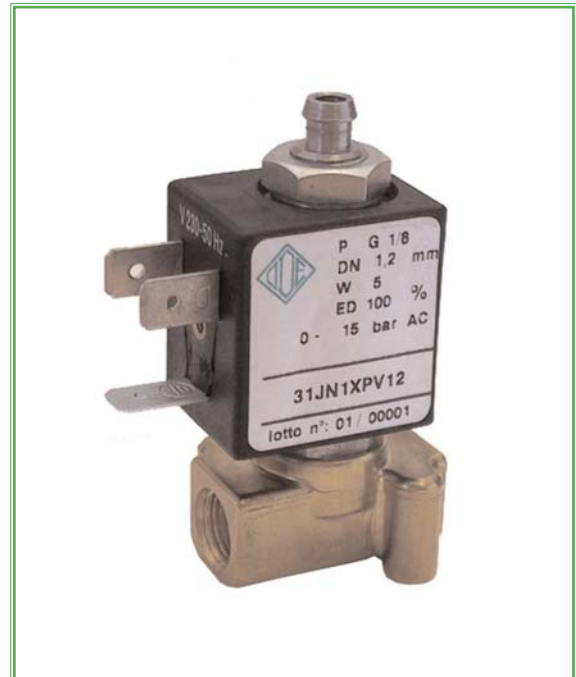
The materials used and the tests carried out ensure maximum reliability and duration.

USE: Automation
Heating

PIPES: G 1/8

COILS: 5W - Ø 10
LBA 155°C (class F)
LBF 180°C (class H)

Max. allowable pressure (PS) 40 bar
Environment temperature:
with class F or high temperature coils - 10°C + 60°C
with class H coil - 10°C + 80°C



Gaskets	Temperature	Medium
V=FKM (fluoroelastomer)	- 10°C + 140°C	Mineral oils (2°E), gasoline gas oil, fuel oils (5°E)



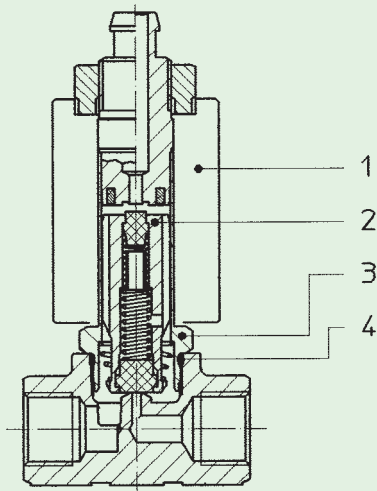
Pipe ISO 228/1	Code	Max viscosity		Ø mm	Kv l/mn	Power (watt)	Pressure		
		cSt	°E				min bar	M.O.P.D. AC bar DC bar	
G 1/8	31JN1XPV12	12	~ 2	1,2*	1	5	0	15	-
	31JN1XPV23	37	~ 5	2,3*	2,3			5	

Note

* 3rd way exhaust= Ø 1,7 mm

Also available with brass body without lead.

The "ODE" reserves the right to carry out technical and aesthetic modifications without prior notification.



MATERIALS:

Body	Brass
Armature tube	Stainless steel AISI series 300
Fixed core	Stainless steel AISI series 400
Plunger	Stainless steel AISI series 400
Phase displacement ring	Copper - Cu 99,9%
Spring	Stainless steel AISI series 300
Seal	V=FKM
Orifice	Brass

On request:

Connector	Pg 9 or Pg 11
Connector conformity	ISO 4400

FEATURES:

Electrical conformity	IEC 335
Protection degree	IP 65 EN 60529 (DIN 40050) with coil fitted by connector.

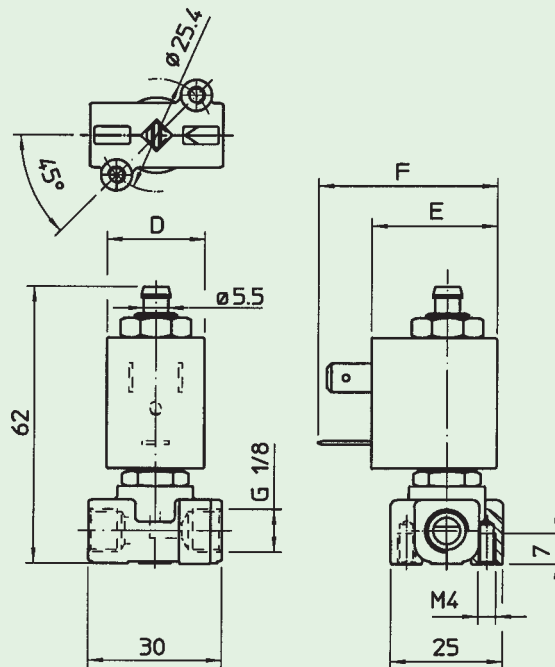
SPARE PARTS:

1. **Coil:**
See coils list
2. **Complete plunger:**
Code R452061/V
3. **Complete armature tube:**
Code R452095
4. **Gasket O-Ring:**
Code R990597/V

KIT:

KT100XPV25-IJ=2+3+4

DIMENSIONS:



COIL	POWER ABSORPTION		TYPE	DIMENSIONS		
	Inrush VA ~	Hold VA ~		D mm	E mm	F mm
5 W	15	11	L	22	27,5	39,5